

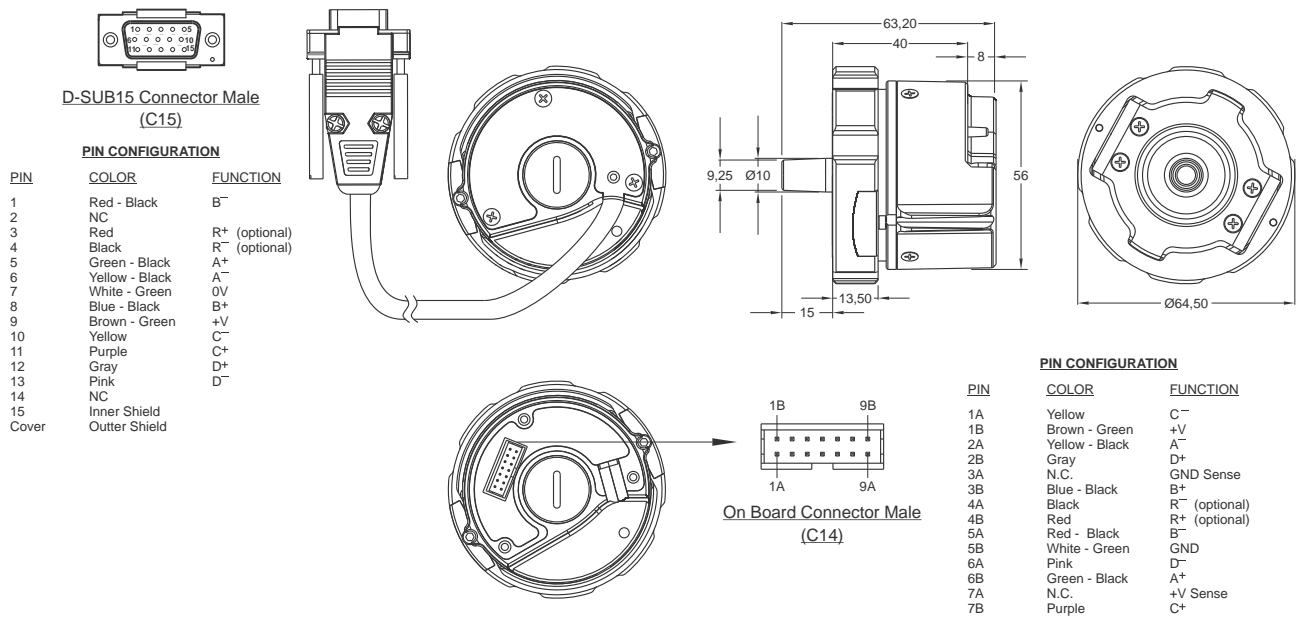
Sine-Wave Encoder with Commutation Signals

- Feedback encoder for synchronous gearless motors
- Optical absolute encoder
- 1 Vpp/2048 ppr SinCos incremental signals (A,B)
- Additional 1 Vpp/1 ppr absolute commutation signals (C,D)
- User friendly installation
- Rigid shaft coupling



Technical Specifications

| | |
|------------------------------------|--|
| Supply voltage | 5 - 20 VDC ±%5 |
| Current consumption (without load) | 130 mA max. (without load) |
| Resolution | 2048 ppr. |
| Output circuit | Analogue |
| Pulse frequency | < 200 kHz |
| Working principle | Optical |
| Accuracy | <2048 / ±40" |
| Incremental channels | A, A inv. B, B inv. / 2048 ppr. (sine 1 Vpp) |
| Absolute channels | C, C inv. D, D inv. / 1 ppr. (sine 1 Vpp) |
| Flange | Special motor feedback flange |
| Case diameter | Ø56 mm |
| Shaft diameter | cone 1/10 |
| Shaft axial / radial loading | 30 N max. |
| Starting torque | 0,17 Ncm min. |
| Electrical connections | 18 pin pcb type connector or DB15 connector with 20 cm cable |
| Weight | 340 gr. (without cable) |
| Shock | 100 g, 5 ms |
| Vibrations | 10 g, 5-2000 Hz |
| Protection | IP47 |
| Operating temperature range | -20°C +85°C |
| Storage temperature range | -20°C +85°C |



| Model | Case Diameter | Case Type | Shaft Diameter | Interface | Resolution | Output Channels | Supply Voltage | Connector / Cable |
|---------------|---------------|-----------|----------------|-------------------|------------|-----------------|----------------|-------------------|
| (example) PRA | 56 | ERC | 10 | SC | 2048 | VP | V1 | 0m5 C15 |
| PRA | 56mm | ERC | 10 | SC: sine / cosine | 2048 | VP: 1Vpp | V1: 5VDC | 0m5 C15 |