

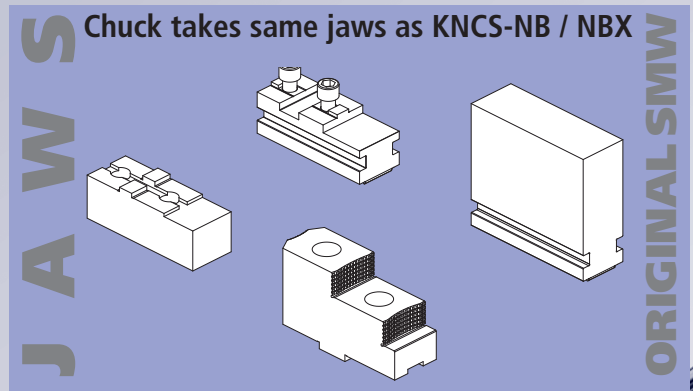
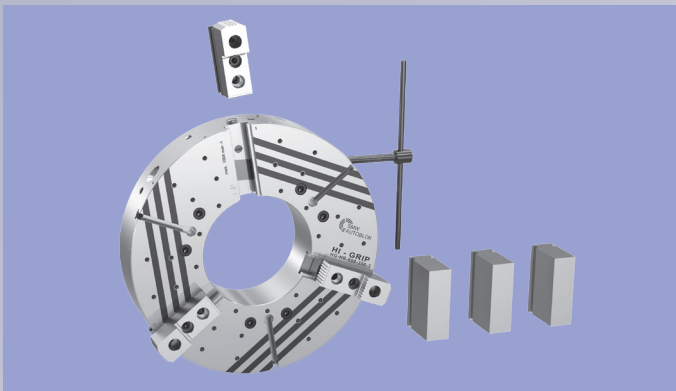
Fast changeover, fast payback:

The original quick jaw change manual chuck

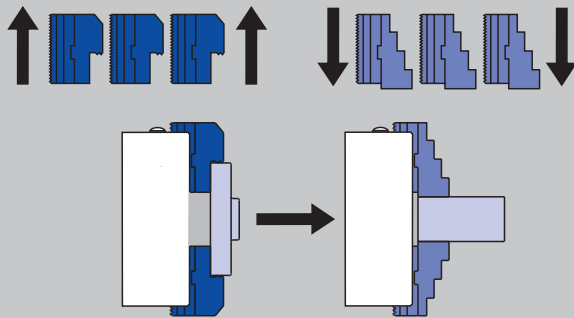
HG-NB

EXTRA LARGE THROUGH HOLE

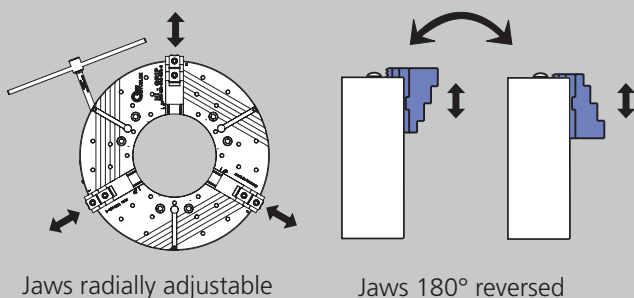
>> ALL EXISTING TOP JAWS CAN BE USED.



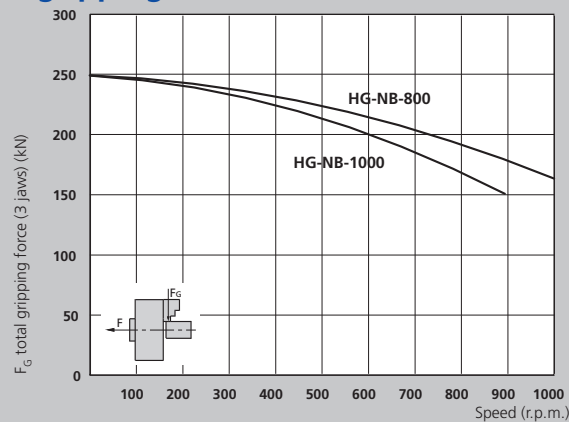
- Jaw change in less than 1 minute



- Universal, because jaws can be radially adjusted and reversed = less jaw sets



For highest speeds
Flat gripping force curve



- The max. gripping force is the total, acting on the 3 jaws, obtained by applying to the chuck the max. allowed driving torque. The data refers to a chuck newly maintained accordingly to their service manual, using SMW K05 grease.
- The dynamic gripping forces have been measured using hardened standard stepped monoblock jaws placed in a position not exceeding the outer diameter of the chuck.

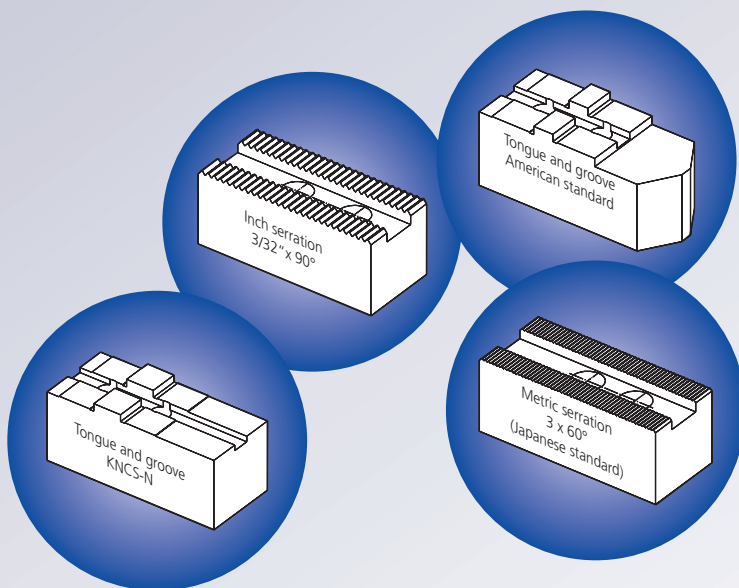
⚠ Safety advice / danger of damage:

When using taller / heavier jaws and / or clamping on a more external position reduce driving torque / rotating speed accordingly.

Less costs by using all existing top jaws from:

- SMW-AUTOBLOK
- Autoblok
- Buck
- Forkardt
- Gamet
- Howa
- Kitagawa
- Logansport
- Mario Pinto
- Matsumoto
- Pratt Burnerd
- Röhms
- Rotomors
- Schunk
- Berg
- Woodworth

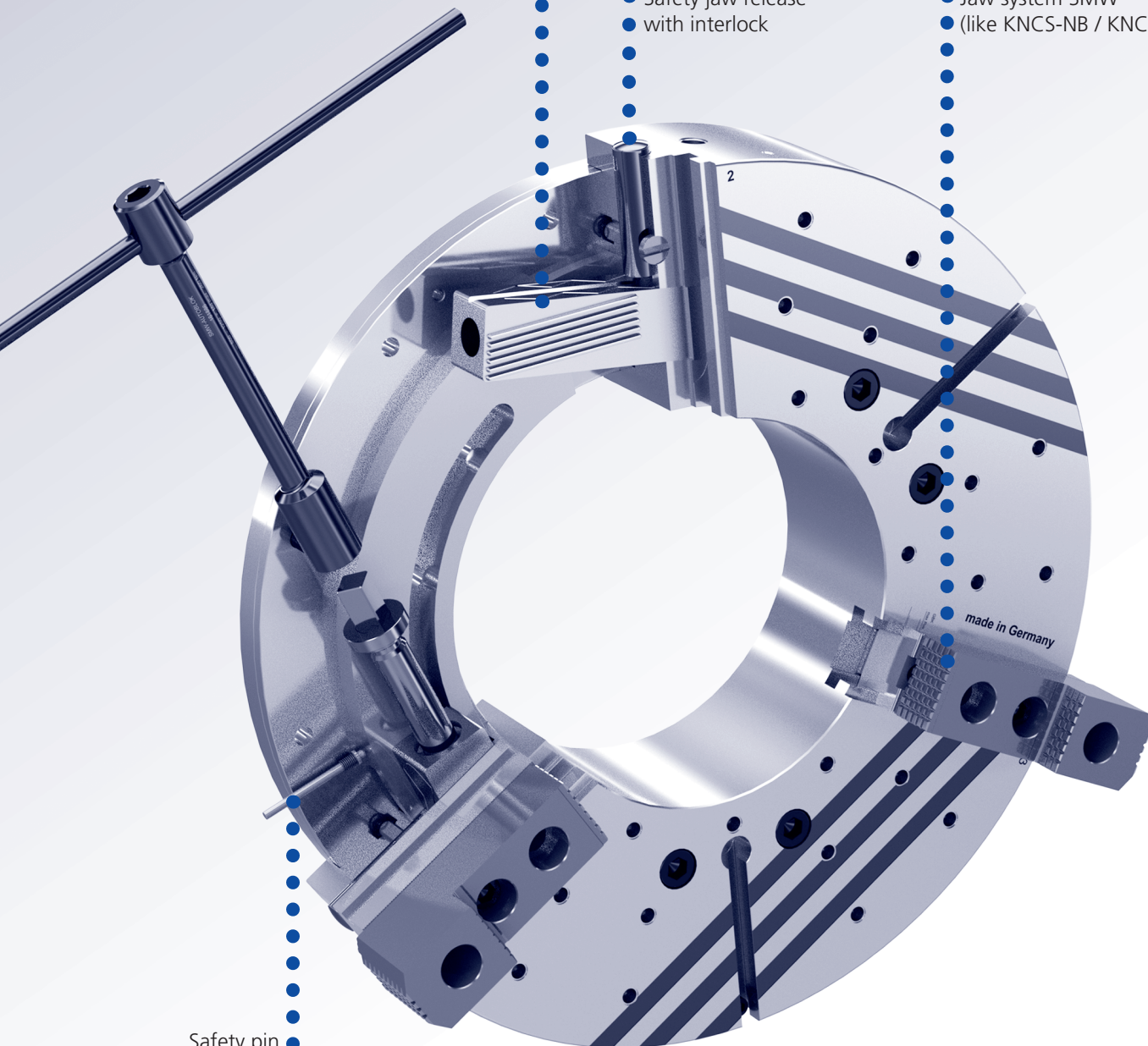
If your jaw type is not included, please contact us.



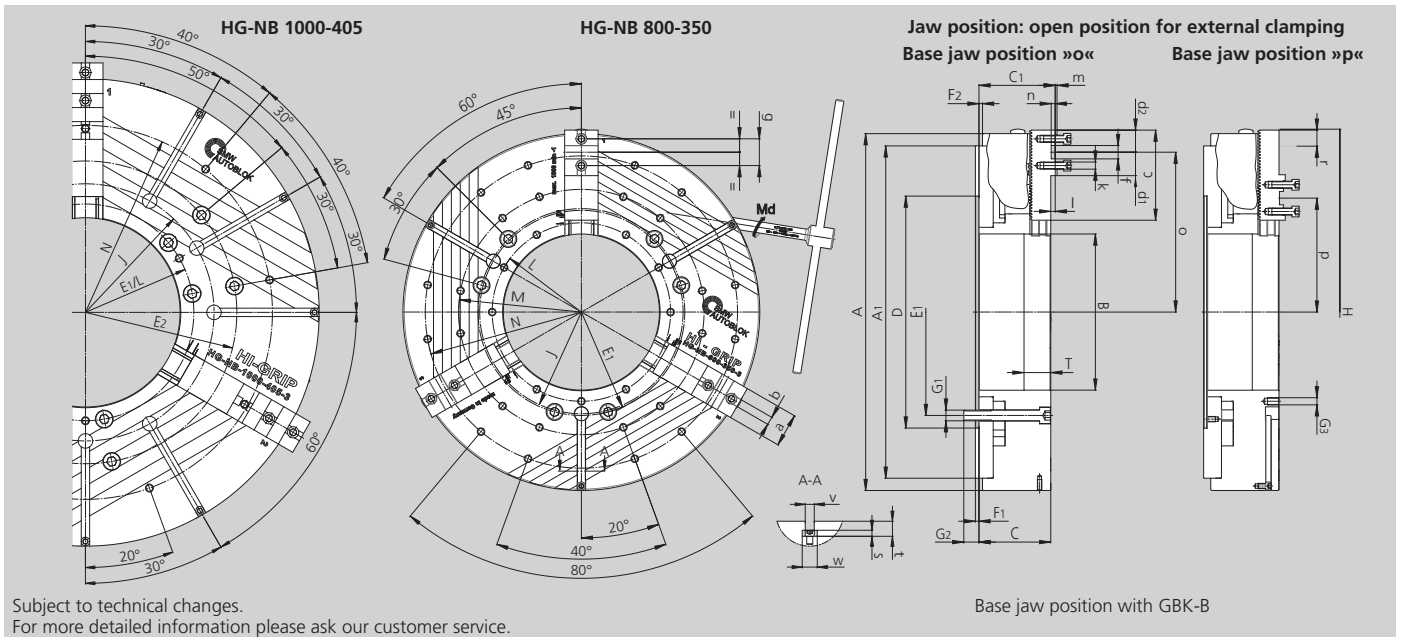
Wedge bar design guarantees highest precision, concentricity and repeatability as well as highest gripping forces

● Safety jaw release with interlock

● Jaw system SMW (like KNCS-NB / KNCS-NBX)



● Safety pin indicates correct jaw stroke position

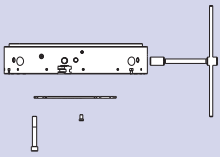


SMW-AUTOBLOK Type HG-NB		800-350	1000-405
Mounting	Size	Z520	Z720
	A	800	1000
	A1	745	880
	B	350	405
	C	161	161
	C1	171	171
	D	520	720
	E1	463.6	463.6
	E2	-	647.6
	F1	8	8
	F2	8	8
	G1	M24 (6x)	M24 (12x)
	G2	34	34
Piston thread / depth	G3	M16 (33x) / 26	M16 (9x) / 25
Piston stroke	H	839	1070
	J	456	550
	L	400	463.6
	M	550	-
	N	700	800
	T	60	60
Base jaw	-	GBK-B 630	GBK-B 800
	a	75	75
	b	18	18
	c	202	286
	d1	52,5	113
	d2	49,5	50,5
	f	30	30
	g	60	60
	k	M16	M16
	l	10	10
	m	4	4
	n	9	9
Max. / min.	o	368.4 / 277.4	478 / 303
Max. / min.	p	265.4 / 174.4	293 / 118
Base jaw tooth pitch	-	7	7
Base jaw offset	r	91	175
Base jaw offset	teeth	13	25
	s	12	12
	t	30	30
H8	v	18	18
	w	30	30
Usable jaw stroke	mm	13	13.2
Max. total gripping force	kN	250	250
At max. torque Md	Nm	260	260
Speed	r.p.m.	1000	900
Weight without jaws	kg	475	745
Moment of inertia	kg·m ²	45.5	109

HG-NB

QUICK JAW CHANGE
Wide master jaws

Ordering review



Size	HG-NB 800-350	HG-NB 1000-450
Spindle mounting		
Centering rim	Z520 161880	Z720 161910

Supply range

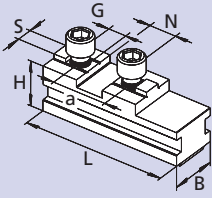
Chuck + actuation wrench + mounting bolts + 1 set of coverplates without base jaws

Base jaw type

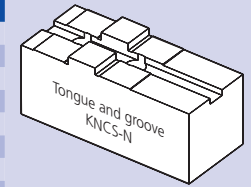
GBK-B

TONGUE & GROOVE KNCS-N standard

Existing top jaw



HG-NB	800-350	1000-450
Id. No.	035902	064604
B	75	75
H	57	57
L	202	286
N	30	30 (2x)
S	18	18
G (metric)	M16	M16
a	60	2 x 60

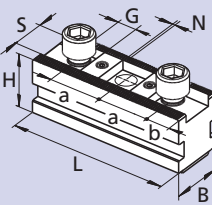


Base jaw type

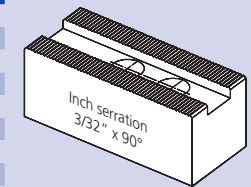
GBK-BD

INCH SERRATED (for SMW-AUTOBLOK standard jaws)

Existing top jaw



HG-NB	800-350	1000-450
Id. No.	036295	036296
B	75	75
H	61	61
L	202	286
N	3/32" x 90°	3/32" x 90°
S (ridge)	25.5	25.5
G	M20	M20
a	38 / 38 / 52 / 38	3x38 / 60.7 / 2x38
b	18	17.5

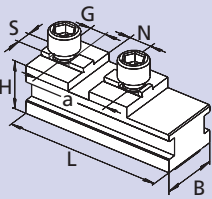


Base jaw type

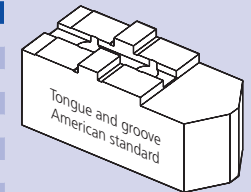
GBK-BA

TONGUE & GROOVE American standard

Existing top jaw



HG-NB	800-350	1000-450
Id. No.	060562	064590
B	75	75
H	57	57
L	202	286
N	19.02	19.02 (2x)
S	12.7	12.7
G (inch)	3/4-10	3/4-10
a	76.2	2 x 76.2

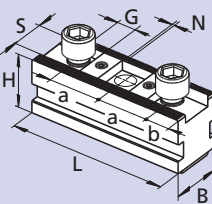


Base jaw type

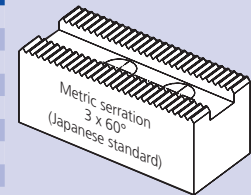
GBK-BM

METRIC SERRATION

Existing top jaw



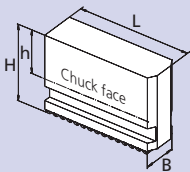
HG-NB	800-350	1000-450
Id. No.	035917	036708
B	75	75
H	61	61
L	202	286
N	3 x 60°	3 x 60°
S	25	25
G (metric)	M20	M20
a	2 x 60	60 / 60 / 70.5 / 60
b	18	17.5



Jaw type

UVB-B

Soft wide monoblock jaws



HG-NB	800/1000
Jaw type	UVB-B 630
Id. No.	5301060
B	75
H	160
h	105
L	230
kg / set	61.5

JAWS-CATALOG

Request or download:
www.smw-autoblok.de

