

LX660-4077-T296/L9R003 - Encoder Cable for Servo Motor, Alpha iS Series, Alpha iF Series, Beta iS Series <--> Alpha iSV Series, Beta iSVSP, Beta iSV with FSSB Interface, Separate Detector Circuits, Straight Connector, Length 9 m

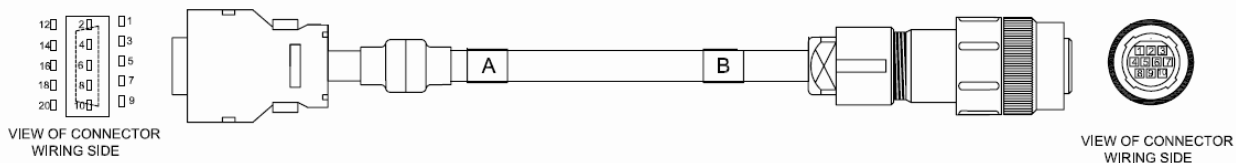
General

Description	Encoder Cable for Servo Motor, Alpha iS Series, Alpha iF Series, Beta iS Series <--> Alpha iSV Series, Beta iSVSP, Beta iSV with FSSB Interface, Separate Detector Circuits, Straight Connector, Length 9 m
Revision Status	EG
Normative Reference	CE/UL/CSA
Cross Section	1x2x24AWG + 5x0.5mm ²
Bending Radius	80 mm/min
Speed [m/min]	220 m/min
Acceleration [m/s ²]	10m/sec ²
Weight [kg]	0.79

Technical Data

Item	Connector A	Cable Material	Connector B
Specification	A02B-0120-K303	LX66L-0003-0462	A06B-6114-K204#S
Type Description	PCR 15 PIN STD. STRAIGHT	Signal cable, 1x2x24AWG + 5x0.5mm ² , PUR/PP Shielded, Halogen free	JAE STRAIGHT REINFORCED TYPE JN2

Overview



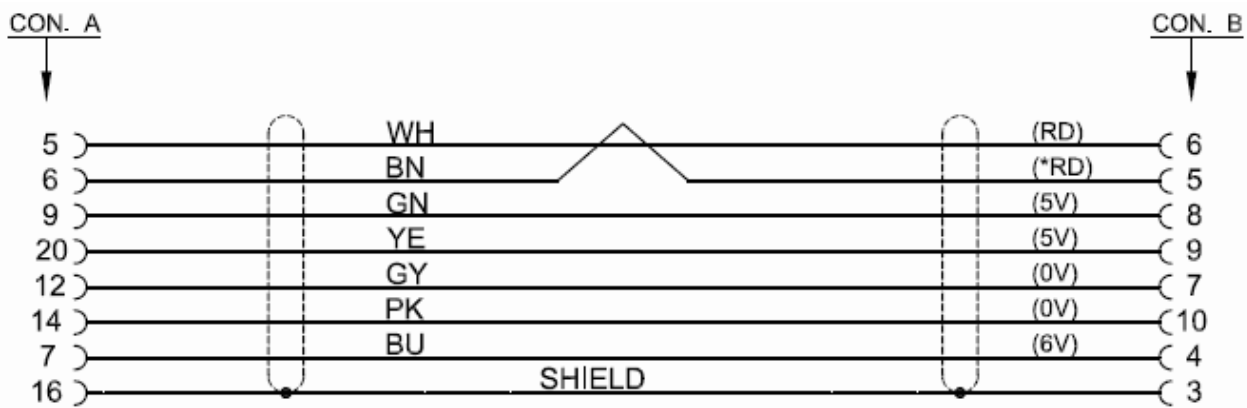
Available Cable Lengths

Cable Length [m]	Specification
2	LX660-4077-T296/L2R003
3	LX660-4077-T296/L3R003
4	LX660-4077-T296/L4R003
5	LX660-4077-T296/L5R003
6	LX660-4077-T296/L6R003
7	LX660-4077-T296/L7R003
8	LX660-4077-T296/L8R003
9	LX660-4077-T296/L9R003
10	LX660-4077-T296/L10R03
12	LX660-4077-T296/L12R03
14	LX660-4077-T296/L14R03
16	LX660-4077-T296/L16R03
18	LX660-4077-T296/L18R03
20	LX660-4077-T296/L20R03
22	LX660-4077-T296/L22R03
24	LX660-4077-T296/L24R03

Available Cable Lengths

Cable Length [m]	Specification
25	LX660-4077-T296/L25R03
27	LX660-4077-T296/L27R03
30	LX660-4077-T296/L30R03
33	LX660-4077-T296/L33R03
37	LX660-4077-T296/L37R03
40	LX660-4077-T296/L40R03
45	LX660-4077-T296/L45R03
50	LX660-4077-T296/L50R03

Pin Connection



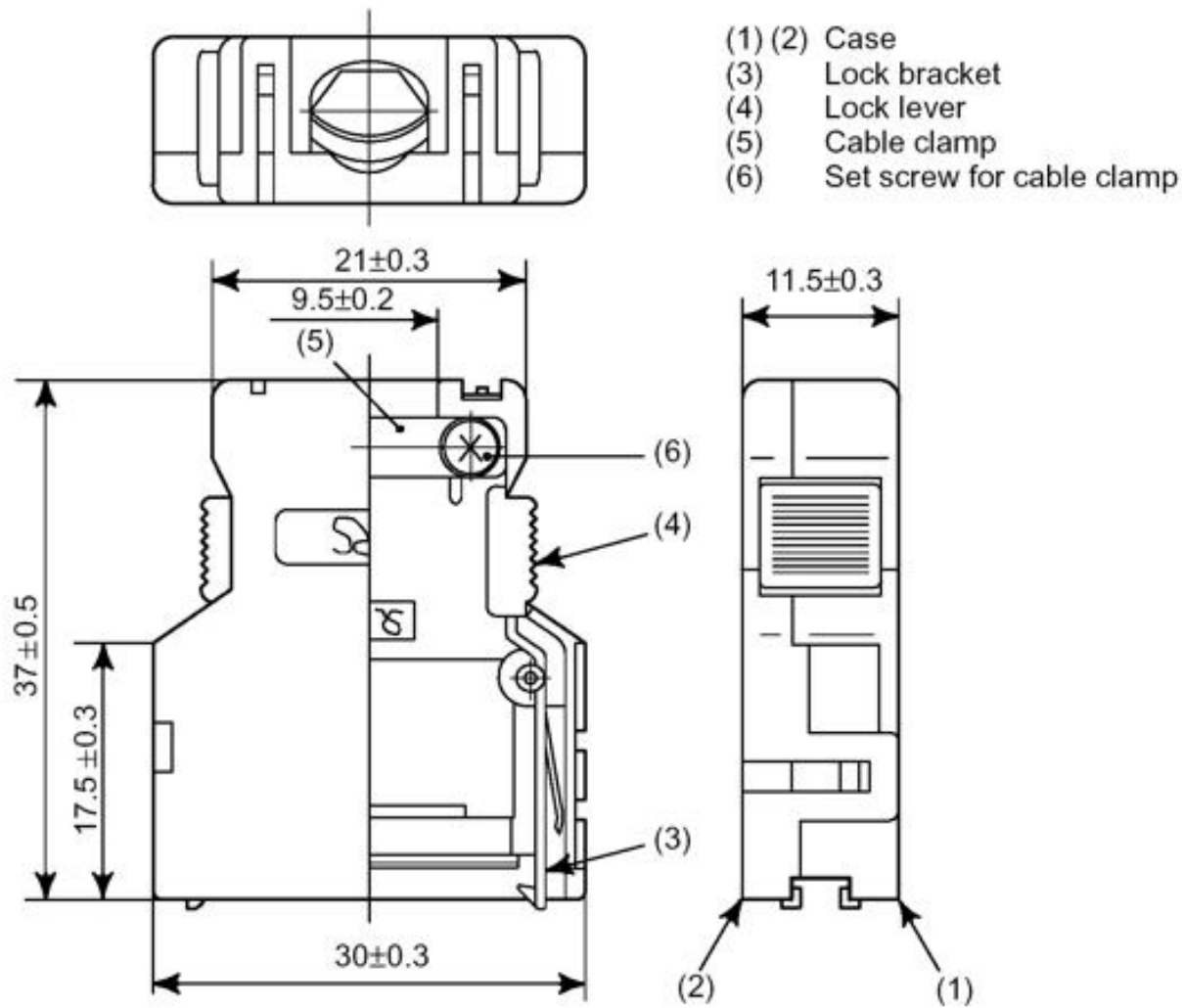
Jacket

Cable Material Specification	LX66L-0003-0462
Cable Insulation Material	PUR/PP SHIELDED
Colour	GREEN - DESINA
Max. Outer Diameter[mm]	7.8
Service Temp. [°C]	-20°C- + 60°C

Electric Performance

Operating Voltage	30 V
Insulation Resistance	1000 MOHM/km
Dielectric Strength [V/ min]	1500V

Connector A

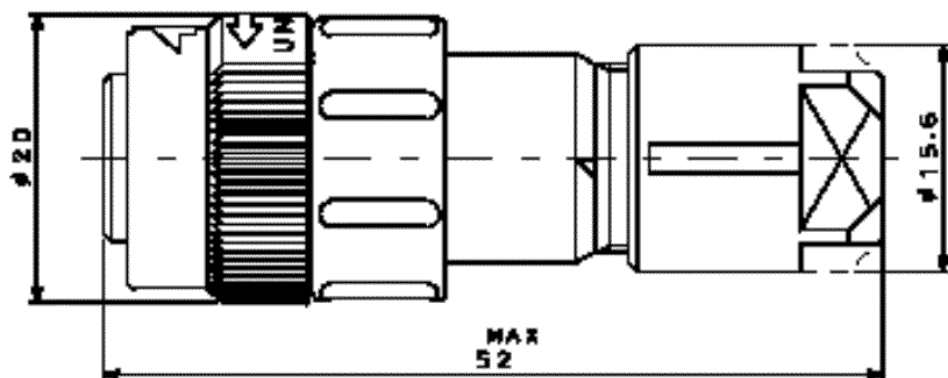


Connector B



Connector B

■ Straight plug JN2DS***



■ Drawing (when mated)

